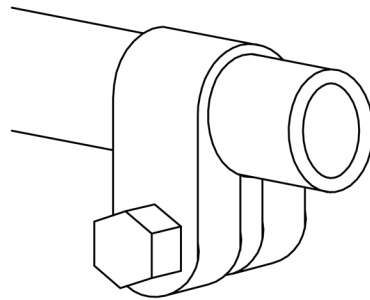


RP25717 IMPORTANT DIRECTIONS

AFTER TOE IS SET, THE TIE ROD CLAMP ON THE DRIVERS SIDE MUST BE POSITIONED WITH THE BOLT BELOW THE SLEEVE TO PREVENT THE BOLT FROM HITTING



DOWN TO ROAD